

JBL PlayUp Portable Wireless Speaker for Nokia, MD-51W

Contents**About your speaker 3****About Bluetooth connectivity 3****Get started 4**

Keys and parts 4

Charge the battery 4

Switch the speaker on 5

Pair your device 6

Pair and connect 6

Pair the speaker using NFC 6

Pair the speaker manually 7

Clear the pairings 7

Listen to music 7

Play music 7

Connect to another device on the go 8

Support 8**Product and safety information 9**

About your speaker

With the Nokia JBL PlayUp Portable wireless speaker, you can listen to music in high-quality audio from your phone or other compatible device, such as a music player. A single speaker fills your room with music. You can connect to another device on the go without stopping the music. You can also use a standard audio cable (3.5 mm) to connect your device to the audio connector in the speaker. The product comes with an audio cable stored in the speaker.

Read this user guide carefully before using the product. Also, read the user guide for the device that you connect to the product.

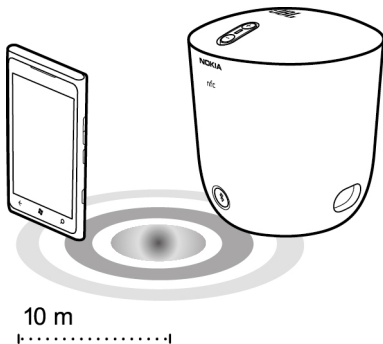
Warning:
This product may contain small parts. Keep them out of the reach of small children.

The surface of this product is nickel-free.

About Bluetooth connectivity

You can use Bluetooth to make a wireless connection to other compatible devices, such as mobile phones.

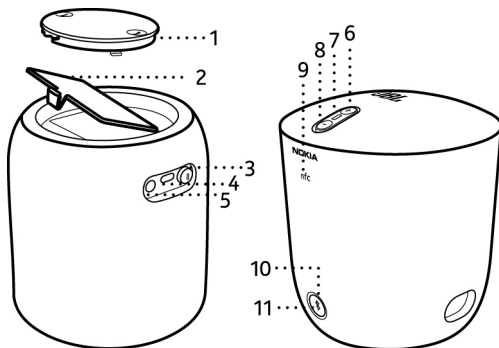
Devices do not need to be in direct line-of-sight, but they must be within 10 meters (33 feet) of each other. The connection may be affected by obstructions such as walls or other electronic devices.



This device is compliant with Bluetooth Specification 2.1 + EDR supporting the following profiles: A2DP and AVRCP. Check with the manufacturers of other devices to determine their compatibility with this device.

Get started

Keys and parts



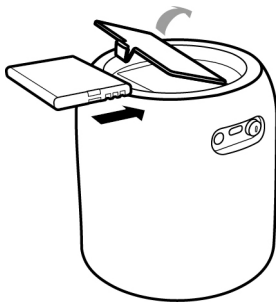
- 1 Cable storage cover
- 2 Battery cover
- 3 Power key
- 4 Charger connector
- 5 Audio connector (3.5 mm)
- 6 Volume up key
- 7 Battery status indicator
- 8 Volume down key
- 9 NFC area
- 10 Power and Bluetooth status indicator
- 11 Bluetooth key

Parts of the product are magnetic. Metallic materials may be attracted to the product. Do not place credit cards or other magnetic storage media near the product, because info stored on them may be erased.

The surface of this product is nickel-free.

Charge the battery

Before using the speaker, you must install and charge the battery. To install the battery, open up the cable storage cover and the battery cover, line the battery contacts and insert the battery.



When the battery charge of the speaker is low, the battery status indicator flashes red. When the battery is charging, the light stays on.

- 1 Plug the charger into a wall outlet.
- 2 Connect the charger cable to the charger connector on the speaker.
- 3 When the battery is full, first disconnect the charger from the speaker, then from the wall outlet.

You can also use a compatible USB cable to charge the battery. Charging over USB can take longer to charge. If you connect the speaker using a non-powered hub, charging may not work. Your speaker charges more quickly when connected to a wall outlet.

To charge over USB, you can only use the USB connection on the speaker.

To remove the battery, open the battery cover, and gently remove the battery.

Check the battery charge

When the speaker is on, press the power key quickly to check the battery charge. The battery status indicator lights show the battery status. A green light shows there is enough battery charge. If the light is yellow, you may need to recharge the battery soon. If the light is red and flashes, recharge the battery.

Switch the speaker on

Press and hold the power key until you hear the speaker start up.

If you've never paired the speaker with a device, or you've cleared the pairings, the speaker goes into pairing mode automatically, and the Bluetooth status indicator starts to flash slowly.

If you've already paired the speaker with one or more devices, the speaker connects to the last device it was used with.

If the speaker is not connected to a device within 30 minutes, the speaker goes into standby mode, and the Bluetooth status indicator light turns off.

Pair your device

Pair and connect

Before using your speaker with a phone or other compatible device for the first time, you must pair and connect it to the device.

You can only connect the speaker to one device at a time, but you can connect to another device on the go.

When the speaker is connected, the Bluetooth status indicator light is blue.

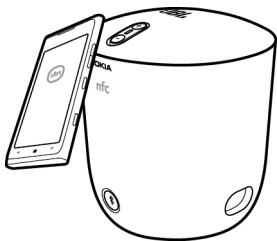
If the connected device goes out of Bluetooth range, the speaker tries to reconnect for 3 minutes. When the device comes back into range, the speaker reconnects automatically.

You can also use a standard audio cable (3.5 mm) to connect your device to the audio connector in the speaker. When you connect your speaker and device using a wired connection, Bluetooth is switched off automatically, and the Bluetooth indicator light turns white.

Pair the speaker using NFC

With Near Field Communication (NFC), you can easily pair and connect your speaker to your phone or other compatible device.

If your phone supports NFC, switch NFC on, and touch the NFC area of the speaker with the NFC area of your phone. Your phone connects to the speaker automatically. Some phones may ask for confirmation on connection. For details on NFC, see your phone user guide.




Before using NFC, unlock the phone screen and enable its NFC function.

If your phone doesn't support NFC, pair the speaker manually.

To close the connection, touch the NFC area of the speaker with the NFC area of your phone again.


Pair the speaker manually


You can pair your speaker manually with Bluetooth.

- 1 Switch on your speaker and phone or other compatible device.
- 2 If you've previously paired your speaker with another device, press and hold  for 2 seconds.
- 3 Within 3 minutes, switch Bluetooth on in your phone, and search for Bluetooth devices.
- 4 Select the speaker from the list of found devices.
- 5 If asked, enter the passcode **0000**.

Clear the pairings

You can clear the paired devices list on your speaker.

Switch the speaker off, then press and hold  and the power key for 5 seconds. The white and red indicator lights alternate.

Pressing and holding  and power also restores factory settings in your speaker.

After you've cleared the pairings, you must pair the speaker before you can use it again. When you switch the speaker on, it goes into pairing mode automatically.

If the paired devices list on your speaker is cleared, also clear that pairing in your device before pairing again.

Listen to music

Play music

Connect a phone or other compatible device to your speaker, and play your favorite music.



Adjust the speaker volume

To increase the volume, press the volume up key. To decrease it, press the volume down key.


Tip: You can adjust the volume from both the speaker and your phone, if your phone has this feature.

Warning:

Continuous exposure to high volume may damage your hearing. Listen to music at a moderate level.

Connect to another device on the go

Take turns with your friends in playing your music. You can change the connected device on the go, without pausing the music.

- 1 While playing music from your connected device, press and hold  for 2 seconds.
- 2 Pair and connect to another device. The music continues playing until pairing is complete.
- 3 Play music on the device just connected.

Support

When you want to learn more about how to use your device, or if you're unsure how your device should work, read the user guide thoroughly.

If you have an issue, restore the original factory settings.

If your issue remains unsolved, contact Nokia for repair options.

Product and safety information

Take care of your device

Handle your device, battery, charger and accessories with care. The following suggestions help you protect your warranty coverage.

- Keep the device dry. Precipitation, humidity, and all types of liquids or moisture can contain minerals that corrode electronic circuits. If your device gets wet, remove the battery, and allow the device to dry.
- Do not attempt to open the device.
- Unauthorized modifications may damage the device and violate regulations governing radio devices.
- Do not drop, knock, or shake the device.
- Only use a soft, clean, dry cloth to clean the surface of the device.
- Switch off the device and remove the battery from time to time for optimum performance.

Recycle

Always return your used electronic products, batteries, and packaging materials to dedicated collection points. This way you help prevent uncontrolled garbage disposal and promote the recycling of materials.

Batteries and chargers

Battery and charger info

Your device is intended for use with a BL-5J rechargeable battery. Nokia may make additional battery models available for this device. Always use original Nokia batteries.

This device is intended for use when supplied with power from the following chargers: AC-50 . The exact Nokia charger model number may vary depending on the plug type, identified by E, X, AR, U, A, C, K, B, or N.

Battery safety

Always switch the device off and unplug the charger before removing the battery. When you unplug a charger or an accessory, hold and pull the plug, not the cord.

When your charger is not in use, unplug it from the electrical plug and the device. Do not leave a fully charged battery connected to a charger, as overcharging may shorten the battery's lifetime. If left unused, a fully charged battery will lose its charge over time.

Always keep the battery between 15°C and 25°C (59°F and 77°F). Extreme temperatures reduce the capacity and lifetime of the battery. A device with a hot or cold battery may not work temporarily.

Accidental short-circuiting can happen when a metallic object touches the metal strips on the battery, for example, if you carry a spare battery in your pocket. Short-circuiting may damage the battery or the connecting object.

Do not dispose of batteries in a fire as they may explode. Dispose of batteries according to local regulations. Recycle when possible. Do not dispose as household garbage.

Do not dismantle, cut, open, crush, bend, puncture, or shred cells or batteries. If a battery leaks, do not let battery liquid touch skin or eyes. If this happens, immediately flush the affected areas with water, or seek medical help.

Do not modify, remanufacture, attempt to insert foreign objects into the battery, or immerse or expose it to water or other liquids. Batteries may explode if damaged.

Use the battery and charger for their intended purposes only. Improper use, or use of unapproved batteries or incompatible chargers may present a risk of fire, explosion, or other hazard, and may invalidate any approval or warranty. If you believe the battery or charger is damaged, take it to a service center for inspection before continuing to use it. Never use a damaged battery or charger. Only use the charger indoors.

Additional safety information

Implanted medical devices

Manufacturers of medical devices recommend a minimum separation of 15.3 centimeters (6 inches) between a wireless device and an implanted medical device, such as a pacemaker or implanted cardioverter defibrillator, to avoid potential interference with the medical device. Persons who have such devices should:

- Always keep the wireless device more than 15.3 centimeters (6 inches) from the medical device.
- Turn the wireless device off if there is any reason to suspect that interference is taking place.
- Follow the manufacturer directions for the implanted medical device.

If you have any questions about using your wireless device with an implanted medical device, consult your health care provider.

Copyright and other notices

DECLARATION OF CONFORMITY

CE 1588

Hereby, NOKIA CORPORATION declares that this MD-51W product is in compliance with the essential requirements and other relevant provisions of Directive 1999/5/EC. A copy of the Declaration of Conformity can be found at <http://www.nokia.com/global/declaration>.

© 2012 Nokia. All rights reserved.

Nokia, Nokia Connecting People, and the Nokia Original Accessories logo are trademarks or registered trademarks of Nokia Corporation.

Reproduction, transfer, distribution, or storage of part or all of the contents in this document in any form without the prior written permission of Nokia is prohibited. Nokia operates a policy of continuous development. Nokia reserves the right to make changes and improvements to any of the products described in this document without prior notice.

The Bluetooth word mark and logos are owned by the Bluetooth SIG, Inc. and any use of such marks by Nokia is under license.

To the maximum extent permitted by applicable law, under no circumstances shall Nokia or any of its licensors be responsible for any loss of data or income or any special, incidental, consequential or indirect damages howsoever caused.

The contents of this document are provided "as is." Except as required by applicable law, no warranties of any kind, either express or implied, including, but not limited to, the implied warranties of merchantability and fitness for a particular purpose, are made in relation to the accuracy, reliability or contents of this document. Nokia reserves the right to revise this document or withdraw it at any time without prior notice.

The availability of some features may vary by region. Please contact your operator for more details.

The availability of products may vary by region. For more info, contact your Nokia dealer. This device may contain commodities, technology or software subject to export laws and regulations from the US and other countries. Diversion contrary to law is prohibited.

FCC/INDUSTRY CANADA/MEXICO NOTICE

This device complies with part 15 of the FCC rules and Industry Canada license-exempt RSS standard(s). Operation is subject to the following two conditions: (1) This device may not cause harmful interference, and (2) this device must accept any interference received, including interference that may cause undesired operation. Any changes or modifications not expressly approved by Nokia could void the user's authority to operate this equipment.

Note: This equipment has been tested and found to comply with the limits for a Class B digital device, pursuant to part 15 of the FCC Rules. These limits are designed to provide reasonable protection against harmful interference in a residential installation. This equipment generates, uses and can radiate radio frequency energy and, if not installed and used in accordance with the instructions, may cause harmful interference to radio communications. However, there is no guarantee that interference will not occur in a particular installation. If this equipment does cause harmful interference to radio or television reception, which can be determined by turning the equipment off and on, the user is encouraged to try to correct the interference by one or more of the following measures:

- Reorient or relocate the receiving antenna.
- Increase the separation between the equipment and receiver.
- Connect the equipment into an outlet on a circuit different from that to which the receiver is connected.
- Consult the dealer or an experienced radio/TV technician for help.

NOTE: FCC Radiation Exposure Statement: This equipment complies with FCC radiation exposure limits set forth for an uncontrolled environment. This transmitter must not be co-located or operating in conjunction with any other antenna or transmitter.

/Issue 1.2 EN-US